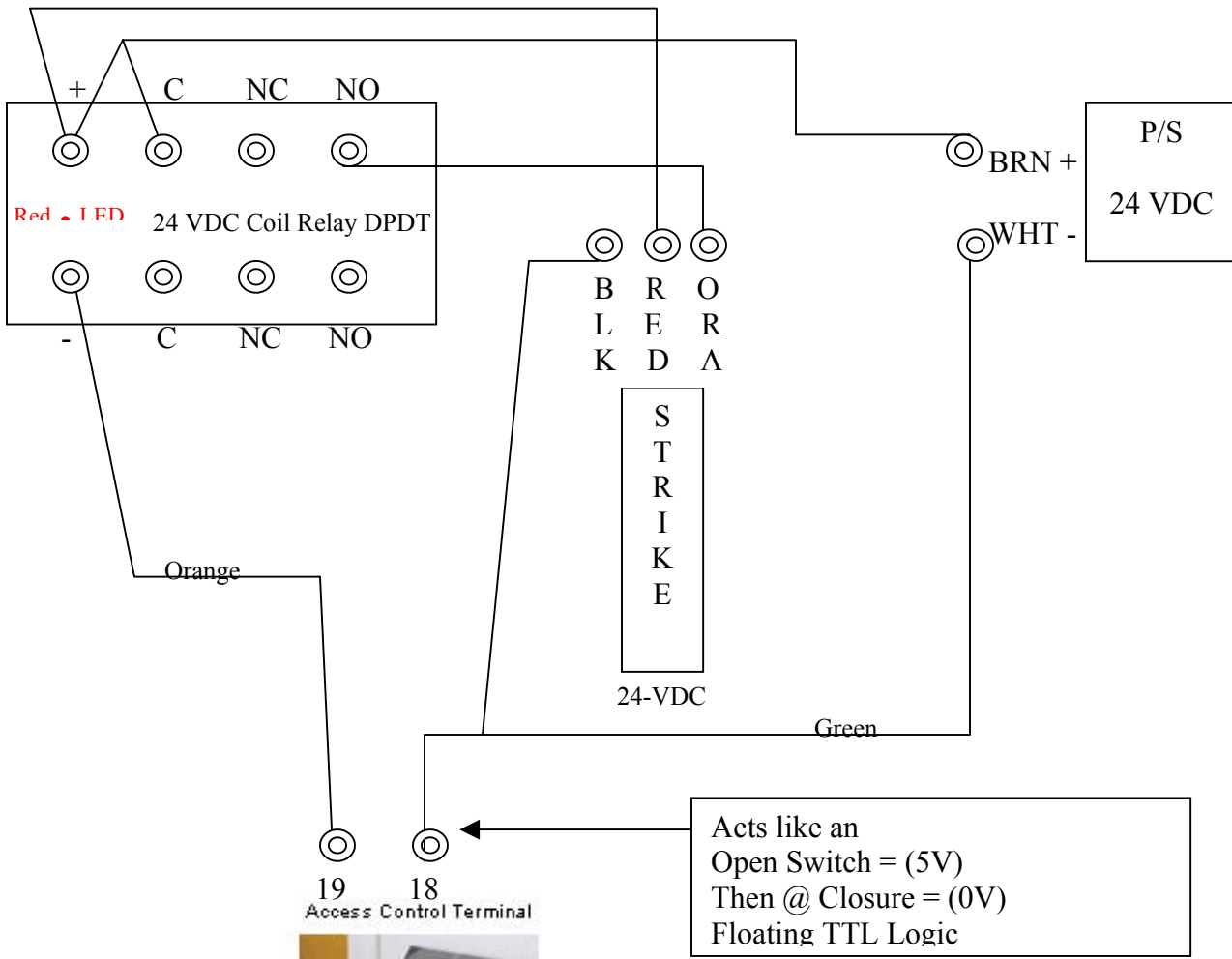


HAND READER TO DOOR RELAY WIRING DIAGRAM



Constant 5VDC on always until activation, then drops to 0.

EQUIPMENT

Securitron Lock Model MUNL-24 Unlatch
Altronix RB524 Relay, 24VDC, 5Amp DPDT